

LED Street Light



Key Features

- Die-cast aluminum housing, easy to disassemble, excellent heat dissipation.
- SMD3030 LED chip with long lifespan >100,000hours, 120-130lm/W.
- Safer isolated driver.
- Ø60mm Light pole mounting diameter.
- Working temperature: -20° C~+45° C.
- IP66 protection class.
- IK10.
- CE, ROHS certificate, LM79 test report.
- Adjustable installation angle 0-90°

Applications

Main road, secondary road, highway, elevated road, street, flyover, sidewalk and other road lighting.

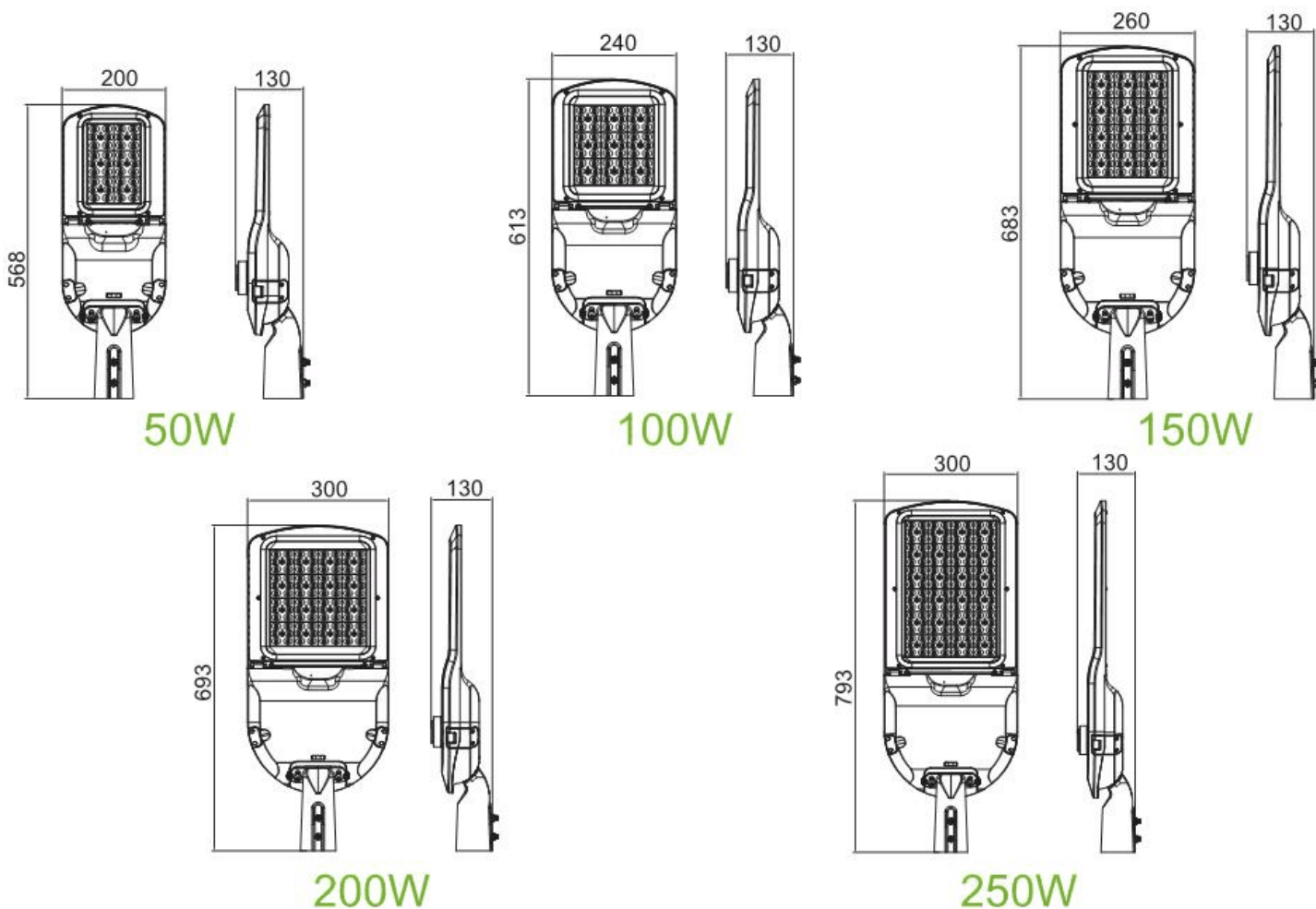


Specifications:



Item	BST-STL-50W-B	BST-STL-100W-B	BST-STL-150W-B	BST-STL-200W-B	BST-STL-250W-B
Power	50W	100W	150W	200W	250W
Luminous flux	6000-6500lm	12000-13000lm	18000-19500lm	24000-26000lm	30000-32500lm
Input voltage	85-175/220-265VAC				
LED chip	SMD3030 96pcs	SMD3030 144pcs	SMD3030 192pcs	SMD3030 256pcs	SMD3030 384pcs
CCT	3000K/4000K/6500K				
Color rendering index(CRI)	Ra>70				
LED driver brand	Lifud/Osram/Meanwell				
Housing color	Gray				
Beam angle	70*140°				
IP rating	IP65				
Housing material	Excellent Aluminum +PC lens				
Working temperature	-20° C ~ +45° C				
Warranty	3 years				

Size:



Packing:

Item	PCS/CTN	G.W	Packing size L*W*H (mm)
BST-STL-50W-B	1	6.3kg	623*255*150
BST-STL-100W-B	1	5.15kg	666*295*150
BST-STL-150W-B	1	6.21kg	736*315*150
BST-STL-200W-B	1	6.8kg	747*355*150
BST-STL-250W-B	1	8.35kg	846*355*150